

AD FILE:	DWG # A-1	REV# 0	REP:	APPROVAL:
SCALE: 1/8"=1'	SERIAL#:	DATE	DWN BY:	APVL DATE:

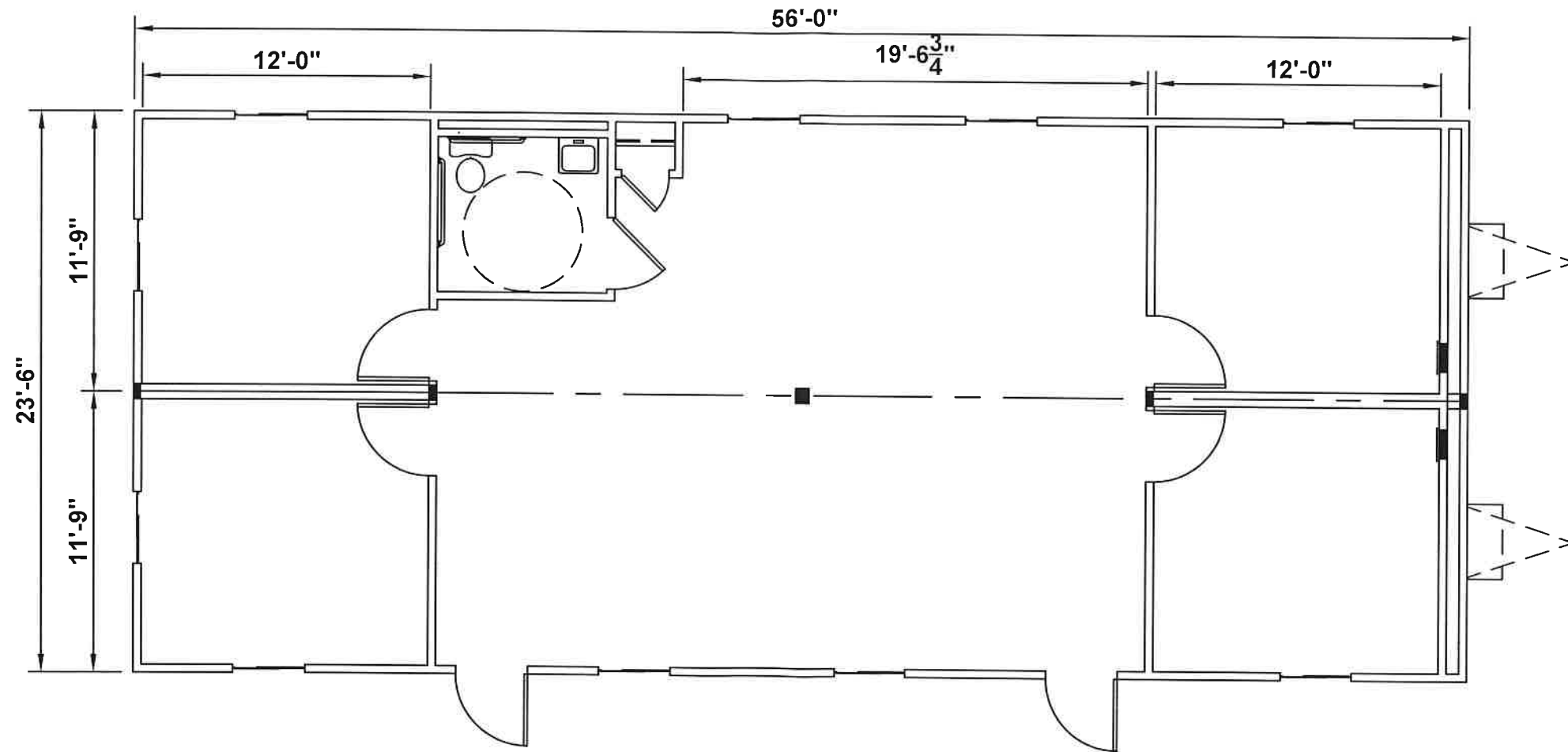
THE USE OF THIS DRAWING FOR ANY MEANS OTHER THAN INTENDED IS STRICTLY PROHIBITED WITHOUT THE PRIOR WRITTEN CONSENT OF AN AUTHORIZED WILLIAMS SCOTSMAN REPRESENTATIVE.
Williams Scotsman, Inc. All Rights Reserved.



800.782.1500
www.willscot.com

SM6024

SECTION MODULAR



CAD FILE:	DWG #	REV#	REP:	APPROVAL:
	A-1	0		
SCALE:	SERIAL#:	DATE	DWN BY:	APVL DATE:
1/8"=1'	.	00-00-13	CAD DEPT.	

THE USE OF THIS DRAWING FOR ANY MEANS OTHER THAN INTENDED IS STRICTLY PROHIBITED WITHOUT THE PRIOR WRITTEN CONSENT OF AN AUTHORIZED WILLIAMS SCOTSMAN REPRESENTATIVE.
Williams Scotsman, Inc. All Rights Reserved.